

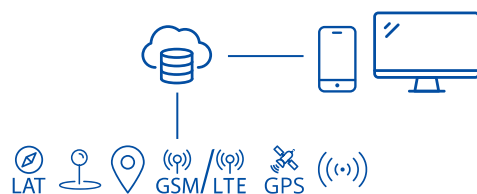
100% SMART ex works

Every S.CF DOCK+ 20-40 container chassis has the TrailerConnect® telematics system on board

All S.CF container chassis are equipped with TrailerConnect® telematics as standard. You have immediate access to the telematics portal and the **beSmart** and **beUpToDate** apps from Schmitz Cargobull.

Your advantages are:

- **Efficient fleet management** with real-time information on the current status of the fleet.
- **Intelligent scheduling** that optimises routes and on-time delivery while avoiding empty runs.
- **Higher trailer availability** - proactive maintenance minimises downtimes and breakdowns.
- **Reduction in process costs for trailer utilisation** and personnel deployment.
- **Monitoring of the tyre pressure control system** reduces fuel consumption, increases tyre mileage and reduces tyre damage due to wear.



The Trailer Company.

Everything from a single source

Premium services from Schmitz Cargobull



Container chassis S.CF DOCK+ 20-40

Flexible use for the transport of 20', 30' and 40' containers

Benefits at a glance:

- Versatile for containers from 20' to 40' with a tunnel
- Locking devices for 40' containers without a tunnel*
- Better handling due to damped, pneumatic rear extension
- New underride guard at the rear
- TrailerConnect® tyre pressure monitoring system in accordance with ECE-141
- 100% SMART with telematics equipment ex works
- Innovative operating concept with simplified user guidance thanks to clear handling instructions on the vehicle, including operating videos via QR code
- Galvanised chassis made from open high-strength steel profiles
- For optimum protection against corrosion*
- Two pairs of ferry lashings for ferry transport and intermodal transport
- Optimised spare parts supply through the use of Schmitz Cargobull standard elements
- Durable and robust Schmitz Cargobull quality

S.CF-DOCK-PLUS-FLY-DEGB-10679-0424

* Option



Twist locks with protection against twisting on four pairs of container beams as standard locking system.



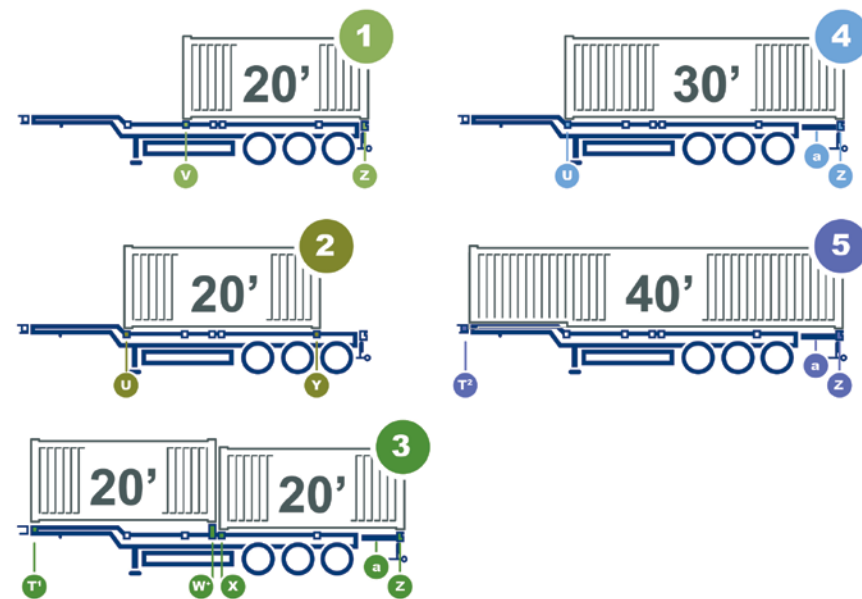
Folding lock on the rigid front beam in the **twist lock position**.



Folding latch as PIN locking device for tunnel containers on the front beam.

Container chassis S.CF DOCK+ 20-40

Container loading plan



New: TrailerConnect® telematics equipment with tyre pressure monitoring system ex works



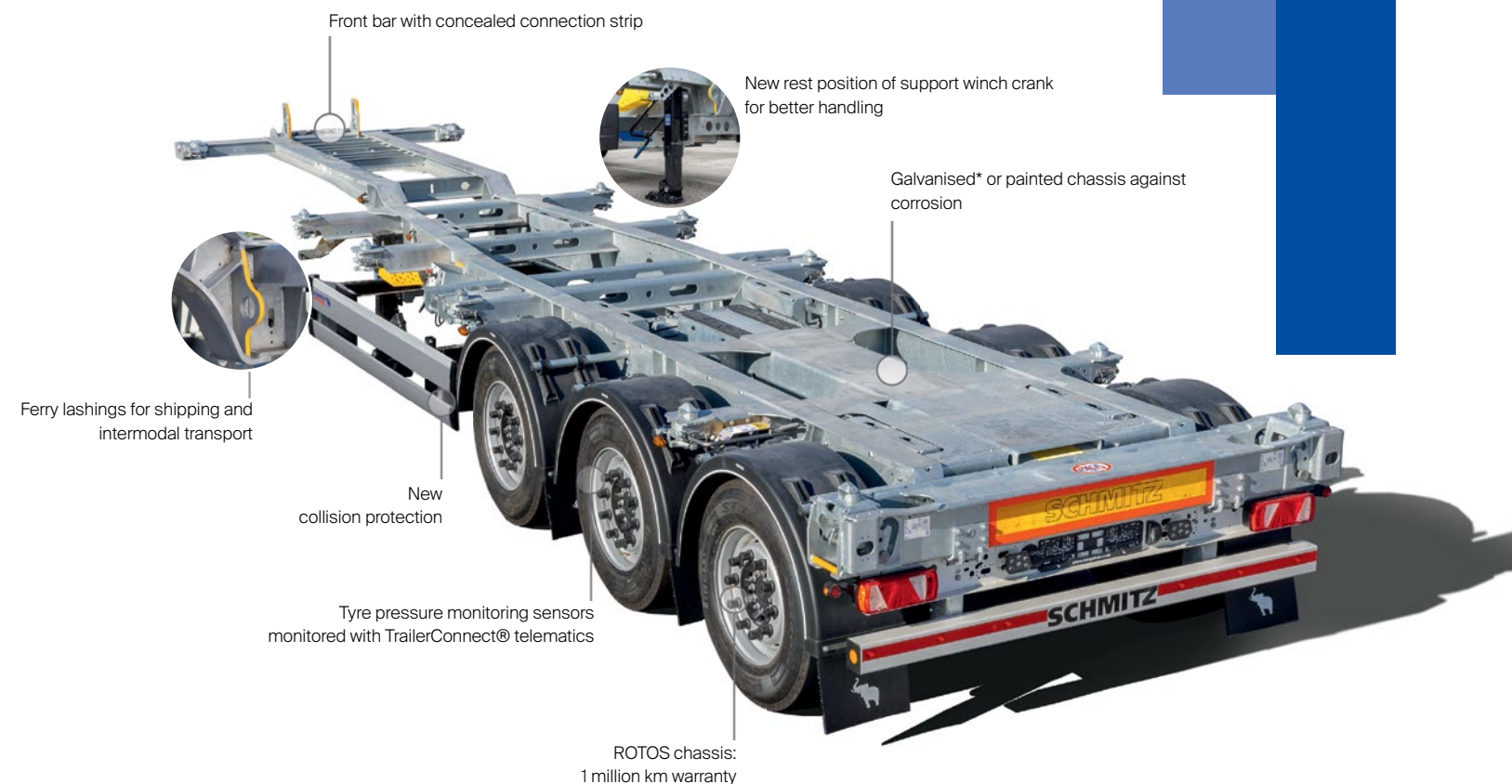
Easily **replaceable container guides** for containers on the front beam.



Control unit for pneumatic locking for the rear extension, optionally with manual locking*.



New: **Damped rear extension** moves **pneumatically** to the selected locking position and brakes gently.



With 2 x 20' loads, the height-adjustable **KLAPP LOCK** takes over the locking of the front container.



The height-adjustable **STEP LOCK®** on the rear extension allows 40' and 45' containers to be picked up without a tunnel in two simple steps.



Three pairs of folding **container supports*** for containers without a tunnel.

Illustrations may contain optional equipment. * Option.



New operating concept with loading plan and clear function and **warning notices on locks and extensions**.



New labelling on locks and extensions for reliable identification of the different loading positions, supported by a loading plan and operating videos via QR code.



The **lift axle*** as a starting aid extends the wheelbase and increases the pressure on the drive axle. Unloaded, the lifted position reduces tyre wear.